

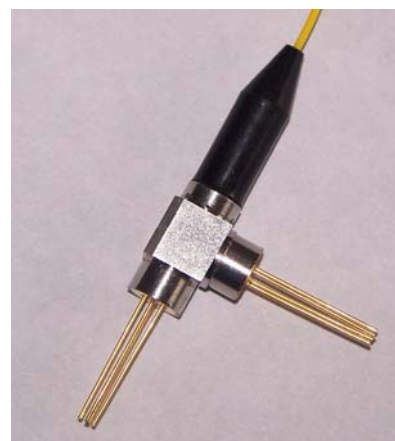
1310/1550 Double Laser pigtail Device

Features:

- InGaAsP/InP MQW-DFB as laser
- 1310/1550nm Double laser
- Low current Threshold
- Inner rear-faced monitor diode
- Single model fiber pigtail package
- Rohs Compliant

Applications:

- Optical communication
- Instruments and Meters



Parameters:

Parameter	Symbol	Test Condition	Min	TYP	Max	Unit
Wavelength	λ_p	If=Ith+20mA	1290	1310	1330	nm
			1530	1550	1570	nm
Spectrum Width	$\Delta\lambda$				1	nm
Current Threshold	Ith	1310nm		8	15	mA
		1550nm		10	15	mA
Forward voltage	Vf	If=Ith+20mA		1.1	1.5	v
Pigtail output	pf	If=Ith+20mA、1310nm	-1.5	0		dBm
		If=Ith+20mA、1550nm	-1.5	0		dBm
PD dark current	Id	Vr=-5V			0.1	μ A
Monitor current	Im	If=Ith+20mA	100			μ A
SMSR		Po=2.0mW	30	40		dB

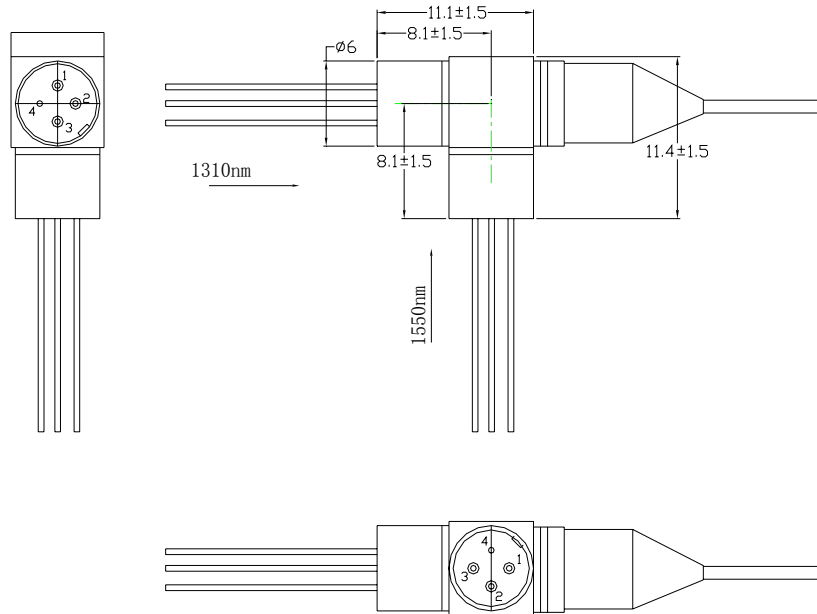
Absolute Maximum Ratings

Parameters	Condition	Parameters	Unit
Operating temperature		-20~+85	$^{\circ}$ C
Storage temperature		-40~+125	$^{\circ}$ C
Reverse Voltage Vr	CW	2.0	v

Pin Assignment

PN	LD Type A	LD Type C
1	LD Cathode	LD Cathode
2	PD Cathode	PD Anode
3	PD anode	PD Cathode/LD Anode
4	LD anode & Case	GND

1310/1550 Double Laser pigtail Device



Ordering Information:

Dual Laser pigtail

DL-ABCDEFG

A(LD)	B(LD wave)	C(Power)	D (Pack)	E(Isolation)	F-mode	G(P type)	H(fiber)
F-FP	1-850/1310nm	1>-5dBm	1-FC/PC	1-Without I	1-BD	A	S single
D-DFB	2-1310/1550nm	2\0~1.5dBm	2-SC/PC	2-Witht I	2-WDM	C	M5-50um
E-LED	3-1310/1490nm	3\1.5~3dBm	3-ST/PC			E	M6-62.5um
	4-1490/1550nm	4>3dBm	4-LC/PC				MT-400um
			5-FC/APC				
			6-SC/APC				
			7-LC/APC				

Note: laser pin position and fiber length can be designed by customer's requirement, general one is 65cm.